

General technical information	
Recommended wood load	10 kg
Maximum cross-section of the supply air connection	180 cm <sup>2</sup>
Optional combustion air adapter	1 × Ø 150 mm
Pressure drop	see table
Free glass area	1 148 cm <sup>2</sup>

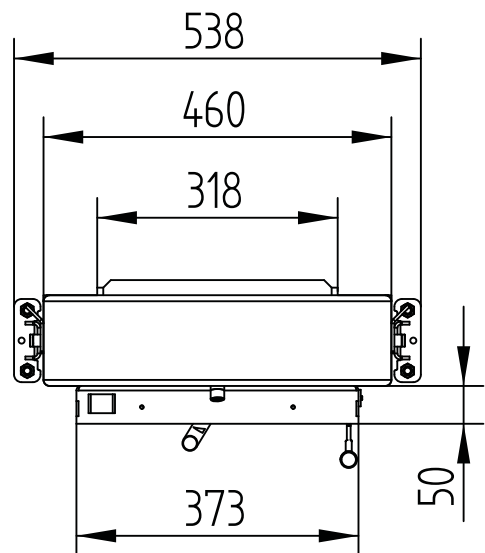
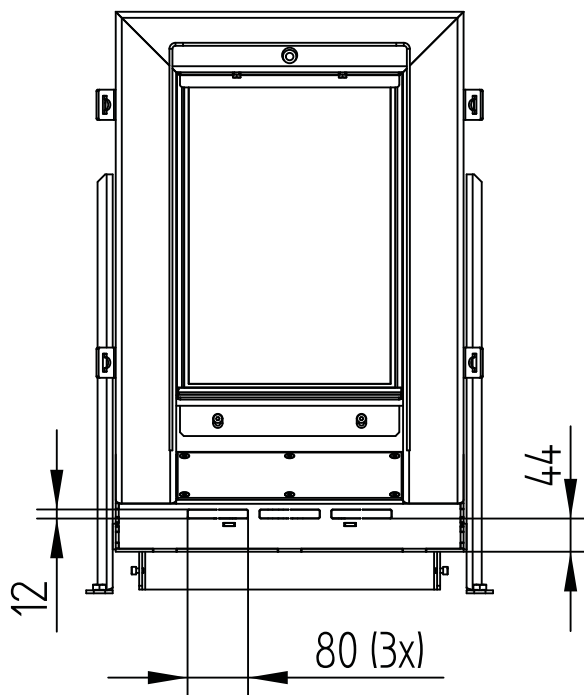
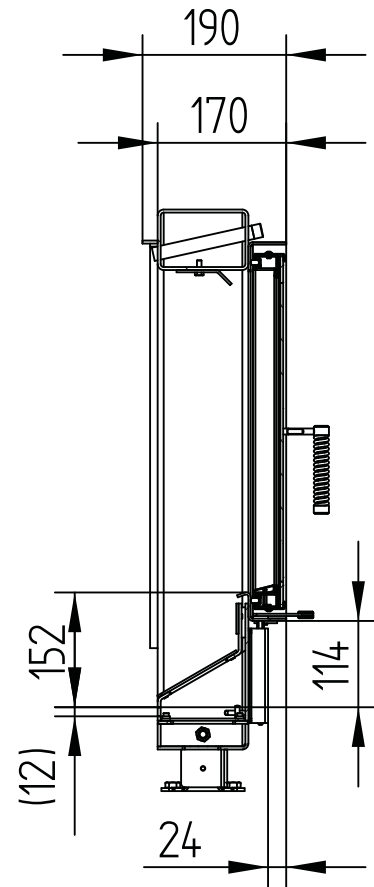
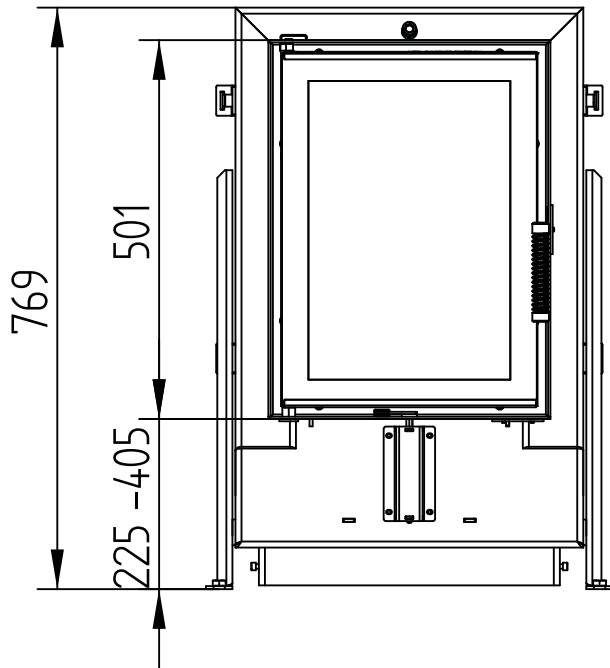
Load of wood	Air flow		Pressure drop
5 kg	47,0 m <sup>3</sup> /h	0,013 m <sup>3</sup> /s	2 Pa
6 kg	56,3 m <sup>3</sup> /h	0,016 m <sup>3</sup> /s	3 Pa
7 kg	65,7 m <sup>3</sup> /h	0,018 m <sup>3</sup> /s	4,1 Pa
8 kg	75,1 m <sup>3</sup> /h	0,021 m <sup>3</sup> /s	5,4 Pa
9 kg	84,5 m <sup>3</sup> /h	0,023 m <sup>3</sup> /s	7 Pa
10 kg	93,9 m <sup>3</sup> /h	0,026 m <sup>3</sup> /s	8,8 Pa
11 kg	103,3 m <sup>3</sup> /h	0,029 m <sup>3</sup> /s	10,7 Pa
12 kg	112,7 m <sup>3</sup> /h	0,031 m <sup>3</sup> /s	12,9 Pa

# GT 37/50

Technical data  
Version 2019/08

GT 37/50

M 1:10

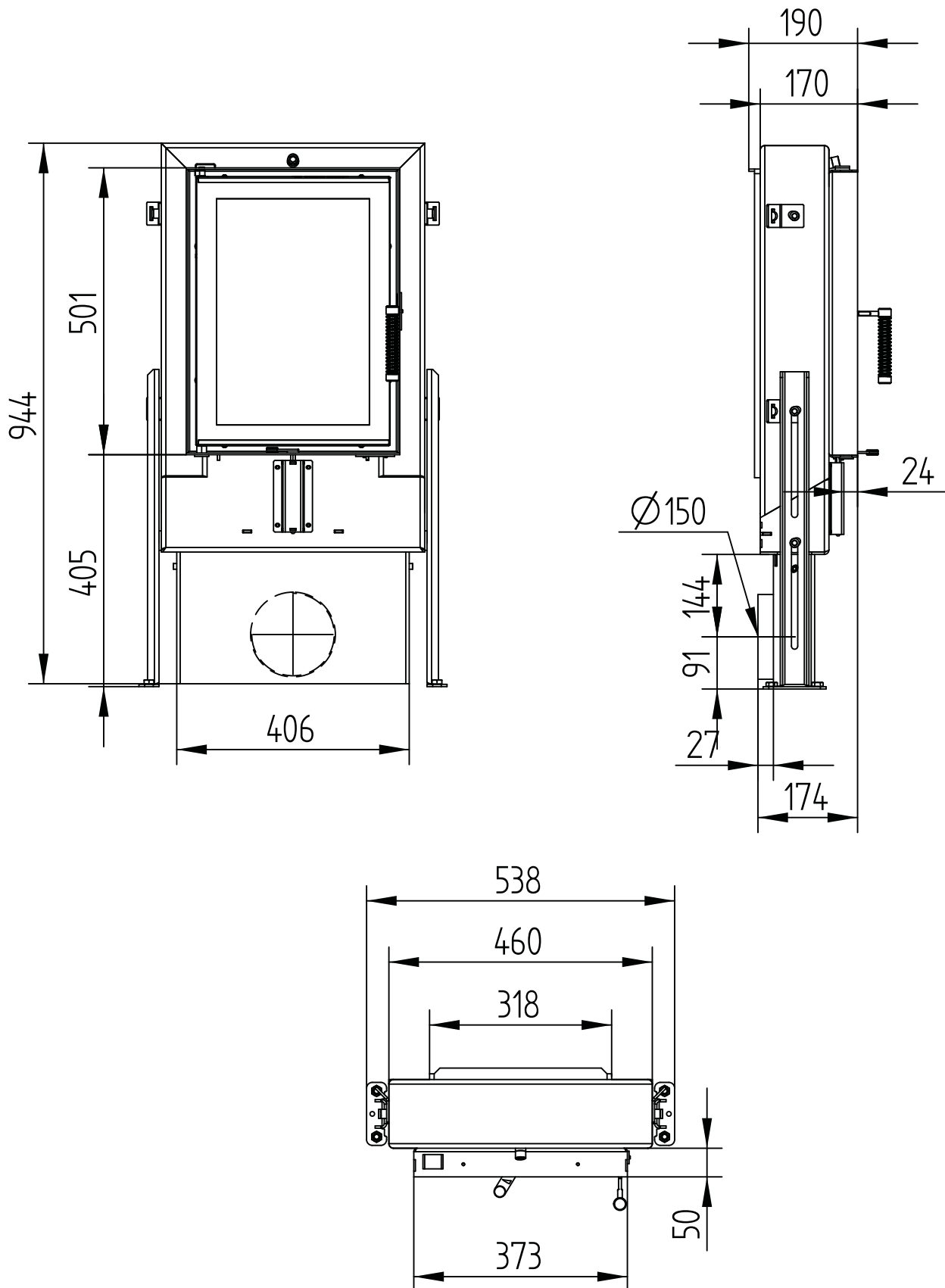


# GT 37/50

Technical data  
Version 2019/08

air connection 1 x  $\varnothing$  150 mm

M 1:10

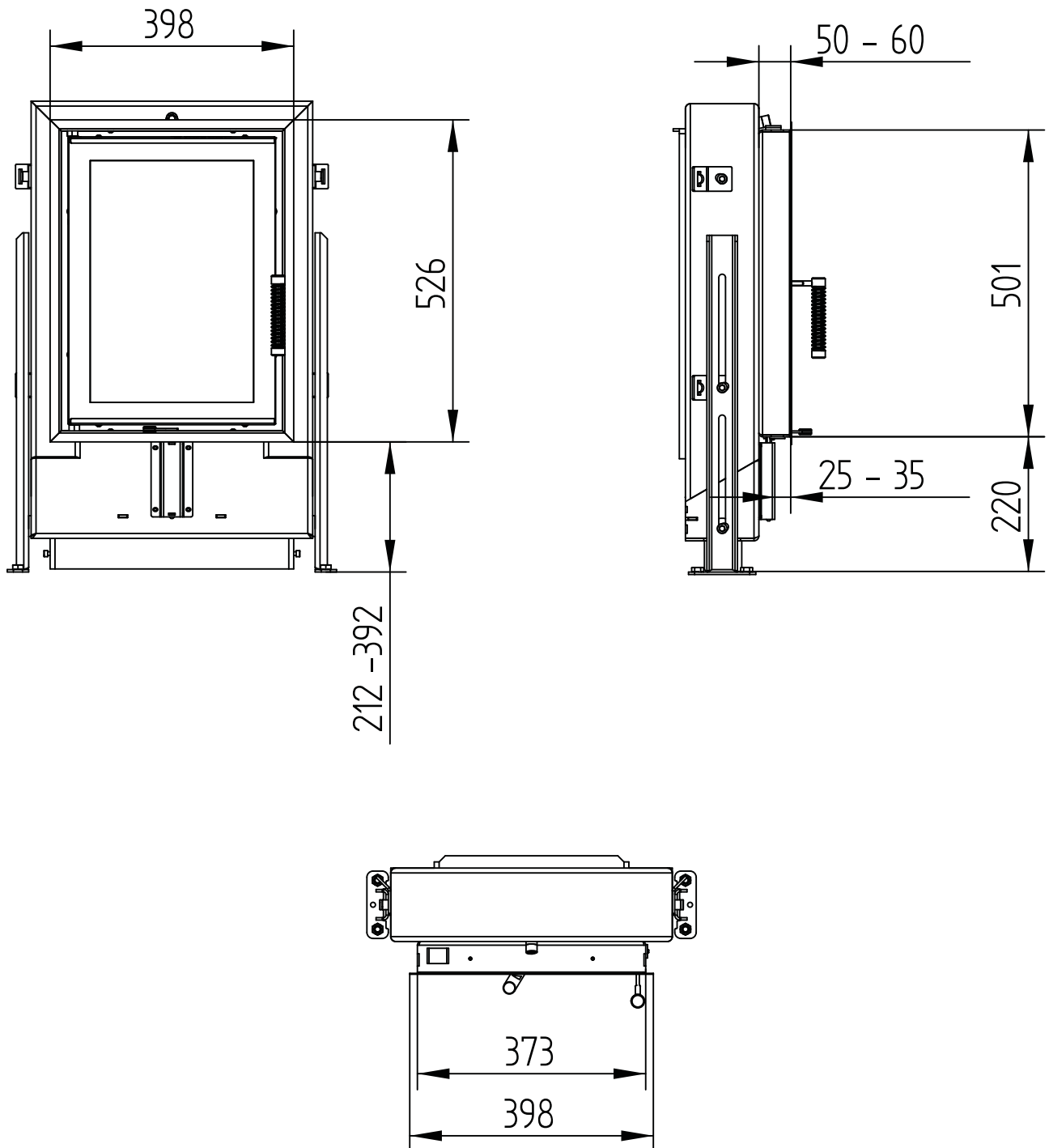


# GT 37/50

Technical data  
Version 2019/08

cover frame 37/50 4sides 50 mm 1 x 90°

M 1:10



# GT 37/50

Technical data  
Version 2019/08

cover frame 37/50 4sides 80 mm 2 x 45°

M 1:10

